

KDC

标准双端面静环补偿性密封系列

高效的OEM设备解决方案

The Standard Stationary Single Seal Solution for Higher Efficient OEM Customers

产品特色Key Features

- 静环补偿密封端面技术
- 介质端面双平衡式整装环设计
- 整合的双向导流设计，轴套带有泵效环
- 更高的温度极限，最高耐温220摄氏度，无镶装工艺的环面脱落和端面位移等问题
- 更高的压力极限：最高压力可达 25 bar
- 接液部件可以采用特殊材质如双相钢 /904L/哈氏合金
- 可用于API 52/53A/53B/54号冲洗方案
- Stationary face compensation technology.
- Solid seal structure reduces deformation at high temperature and low temperature conditions.
- Intergrated and Bi-directional diversion, sleeve with pump ring.
- High Speed limits, up to 220 degree. No seal face drop or displacement.
- Higher pressure limits, up to 25 bar.
- Wet Part in Duplex steel,904L ,Alloy 276 available.
- Suitable for API Plan 52/53A/53B/54.

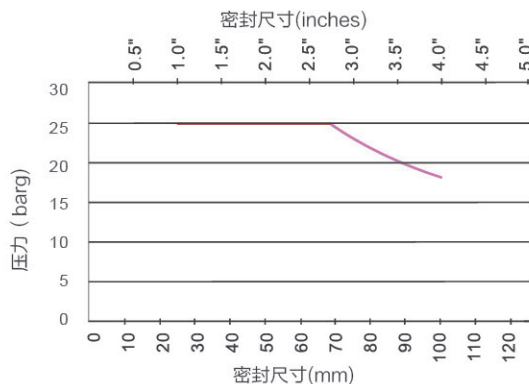
运行参数Operating Conditions

| | |
|----------------------|--|
| 温度/Temperature | -20° C to +220° C [-67° F to +428° F] |
| 压力/Pressure | 0~25 Bar |
| 线速度/On-wire speed | Up to 25 m/s |
| 适用介质/Sealing product | 各种酸性，碱性，低度浆液，水油等介质 Acid,alkaline, low percentage of pulp, water, oil and other similar media. |

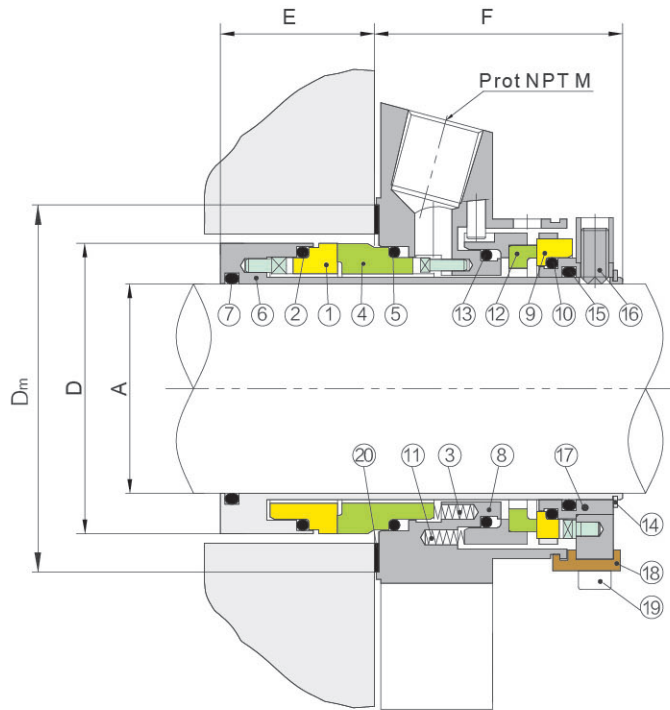
材质Material Arrangement

| | |
|----------------|-----------------------------|
| 密封环/Seal faces | SSIC/CARBON/TC |
| 橡胶/Rubber | EPR/Viton®/Aflas®/Kalrez® |
| 弹簧/Springs | ALLOY 276 |
| 金属部件/Metal | 316SS/DUPLEX/ALLOY 276/904L |

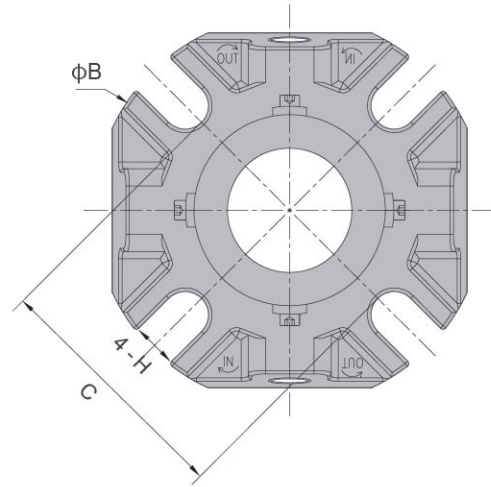
压力图Pressure Chart



卧式安装
Horizontal



25(1")~35(1.375")NPT 1/4"
38(1.5")~100(4")NPT 3/8"



KDC-各部件信息

| NO | 描述/Description | 材质/Material | NO | 描述/Description | 材质/Material |
|----|------------------------------|---------------------------|----|-------------------------------|------------------------------|
| 1 | 一级动环/Inboard Rotary Face | SSIC/TC | 11 | 弹簧/Spring | Alloy 276 |
| 2 | O型圈/O-Ring | EPR/Viton®/Aflas®/Kalrez® | 12 | 二级静环/Outboard Stationary Face | Carbon-316SS Stainless Steel |
| 3 | 弹簧/Spring | Alloy 276 | 13 | O型圈/O-Ring | EPR/Viton®/Aflas®/Kalrez® |
| 4 | 一级静环/Inboard Stationary Face | Carbon/SSIC/TC | 14 | 卡簧/Circlip | Alloy 276 |
| 5 | O型圈/O-Ring | EPR/Viton®/Aflas®/Kalrez® | 15 | O型圈/O-Ring | EPR/Viton®/Aflas®/Kalrez® |
| 6 | 轴套/Shaft Sleeve | 316SS 不锈钢/Stainless Steel | 16 | 驱动螺钉/Drive Screw | 316SS 不锈钢/Stainless Steel |
| 7 | O型圈/O-Ring | EPR/Viton®/Aflas®/Kalrez® | 17 | 定位环/Clamp Ring | 316SS 不锈钢/Stainless Steel |
| 8 | 压盖/Gland | 316SS 不锈钢/Stainless Steel | 18 | 定位块/Setting Clip | 铜/Brass |
| 9 | 二级动环/Outboard Rotary Face | TC-316SS Stainless Steel | 19 | 定位块螺钉/Clip Screw | 316SS 不锈钢/Stainless Steel |
| 10 | O型圈/O-Ring | EPR/Viton®/Aflas®/Kalrez® | 20 | 垫片/Gasket | 非石棉/AF1 |

KDC-尺寸信息(mm)

| ØA | ØB | C | ØD | ØDm | E | F | H |
|-----|-------|-------|-------|-------|------|------|------|
| 25 | 105.0 | 62.0 | 43.0 | 60.0 | 33.1 | 53.4 | 13.2 |
| 28 | 105.0 | 62.0 | 46.0 | 60.0 | 33.1 | 53.4 | 13.2 |
| 30 | 105.0 | 67.0 | 48.0 | 65.0 | 33.1 | 53.4 | 13.2 |
| 32 | 110.0 | 70.0 | 50.0 | 65.0 | 33.1 | 53.4 | 13.2 |
| 33 | 110.0 | 70.0 | 50.0 | 65.0 | 33.1 | 53.4 | 13.2 |
| 35 | 113.0 | 72.0 | 53.0 | 68.0 | 33.1 | 53.4 | 13.2 |
| 38 | 135.0 | 80.0 | 56.0 | 78.0 | 33.1 | 53.4 | 13.2 |
| 40 | 135.0 | 80.0 | 58.0 | 78.0 | 33.1 | 53.4 | 14.2 |
| 42 | 135.0 | 80.0 | 61.0 | 78.0 | 33.1 | 53.4 | 14.2 |
| 43 | 135.0 | 80.0 | 61.0 | 78.0 | 33.1 | 53.4 | 14.2 |
| 45 | 138.0 | 82.5 | 62.5 | 79.0 | 33.1 | 53.4 | 14.2 |
| 48 | 138.0 | 82.5 | 65.5 | 82.0 | 33.1 | 53.4 | 14.2 |
| 50 | 150.0 | 87.0 | 68.0 | 85.0 | 33.1 | 53.4 | 14.2 |
| 53 | 150.0 | 97.0 | 72.0 | 95.0 | 33.1 | 53.4 | 18.0 |
| 55 | 150.0 | 97.0 | 73.0 | 88.0 | 33.1 | 53.4 | 18.0 |
| 60 | 157.0 | 102.0 | 78.0 | 100.0 | 33.1 | 53.4 | 18.0 |
| 65 | 165.0 | 109.0 | 84.8 | 107.0 | 33.1 | 53.4 | 18.0 |
| 70 | 178.0 | 118.5 | 93.0 | 116.0 | 33.1 | 53.4 | 18.0 |
| 75 | 190.0 | 129.0 | 100.0 | 125.0 | 44.1 | 63.9 | 18.0 |
| 80 | 195.0 | 135.0 | 106.4 | 131.0 | 44.1 | 63.9 | 18.0 |
| 85 | 198.0 | 139.0 | 109.5 | 135.0 | 44.1 | 63.9 | 22.0 |
| 90 | 205.0 | 145.0 | 115.9 | 142.0 | 44.1 | 63.9 | 22.0 |
| 95 | 208.0 | 148.0 | 119.1 | 145.0 | 44.1 | 63.9 | 22.0 |
| 100 | 218.0 | 154.0 | 125.4 | 151.0 | 44.1 | 63.9 | 22.0 |

KDC-尺寸信息(Inches)

| ØA | ØB | C | ØD | ØDm | E | F | H |
|-------|-------|-------|-------|-------|-------|-------|-------|
| 1.000 | 4.134 | 2.440 | 1.693 | 2.362 | 1.303 | 2.102 | 0.520 |
| 1.125 | 4.134 | 2.440 | 1.811 | 2.362 | 1.303 | 2.102 | 0.520 |
| 1.250 | 4.330 | 2.760 | 2.000 | 2.250 | 1.303 | 2.102 | 0.520 |
| 1.375 | 4.449 | 2.840 | 2.087 | 2.677 | 1.303 | 2.102 | 0.520 |
| 1.500 | 4.842 | 3.149 | 2.205 | 2.874 | 1.303 | 2.102 | 0.520 |
| 1.625 | 4.842 | 3.149 | 2.402 | 3.071 | 1.303 | 2.102 | 0.599 |
| 1.750 | 5.433 | 3.248 | 2.461 | 3.110 | 1.303 | 2.102 | 0.599 |
| 1.875 | 5.433 | 3.248 | 2.579 | 3.228 | 1.303 | 2.102 | 0.599 |
| 2.000 | 5.905 | 3.818 | 2.677 | 3.346 | 1.303 | 2.102 | 0.599 |
| 2.125 | 5.905 | 3.818 | 2.874 | 3.465 | 1.303 | 2.102 | 0.709 |
| 2.375 | 6.181 | 4.020 | 3.071 | 3.937 | 1.303 | 2.102 | 0.709 |
| 2.500 | 6.417 | 4.290 | 3.212 | 4.213 | 1.303 | 2.102 | 0.709 |
| 2.625 | 6.417 | 4.290 | 3.339 | 4.213 | 1.303 | 2.102 | 0.709 |
| 2.750 | 7.008 | 4.660 | 3.661 | 4.567 | 1.303 | 2.102 | 0.709 |
| 2.875 | 7.283 | 4.960 | 3.858 | 3.779 | 1.736 | 2.516 | 0.709 |
| 3.000 | 7.480 | 5.079 | 3.937 | 4.921 | 1.736 | 2.516 | 0.709 |
| 3.125 | 7.677 | 5.197 | 4.189 | 5.157 | 1.736 | 2.516 | 0.709 |
| 3.250 | 7.677 | 5.315 | 4.212 | 4.113 | 1.736 | 2.516 | 0.709 |
| 3.375 | 7.795 | 5.472 | 4.311 | 5.315 | 1.736 | 2.516 | 0.866 |
| 3.500 | 7.795 | 5.591 | 4.500 | 5.157 | 1.736 | 2.516 | 0.866 |
| 3.625 | 8.071 | 5.709 | 4.563 | 5.591 | 1.736 | 2.516 | 0.866 |
| 3.750 | 8.189 | 5.827 | 4.689 | 5.709 | 1.736 | 2.516 | 0.866 |
| 4.000 | 8.583 | 6.063 | 4.937 | 5.945 | 1.736 | 2.516 | 0.866 |

○ 如对设备轴径大于100mm (4英寸) 的特定需求, 请与FBU的技术部门联系确认相关尺寸和设计可能性
If seal sizes bigger than 100mm (4") is required for specified equipment, please contact FBU technical department for dimensional information and availability.